



DECLARATION OF PERFORMANCE

No. 001CPR2013-07-14

1. Unique identity code of the product type:

Anti-panic mortice lock

2. Type, batch or serial number or another identification symbol for identification of the building product in accordance with Article 11(4) Construction Products Directive:

467F, 4657, 4658, 4667, 4668, 4677, 4678, 457Z, 458Z, 467Z, 468Z, 477Z, 478Z, 6657, 6658, 6667, 6668, 6677, 6678, 657Z, 658Z, 667Z, 668Z, 677Z, 678Z, 7667, 7668, 7677, 7678, 7687, 7688, 767Z, 768Z, 777Z, 778Z, 787Z, 788Z

3. Use intended by the manufacturer or intended uses of the building product in accordance with the harmonized technical specifications:

For doors of emergency exits and in escape routes with requirements for fire protection and smoke control

4. Name, registered trade name or registered trade mark and contact address of the manufacturer in accordance with Article 11(5) Construction Products Directive:

**WILKA Schliesstechnik GmbH
PO Box 100570
D-42505 Velbert**

5. Name and contact address of the authorized representative, if any, charged with the tasks in accordance with Article 12(2):

N/N

6. System or systems of assessment and verification of constancy of performance of the construction product in accordance with Annex V Construction Products Directive:

System 1

7. In the case of the declaration of performance relating to a construction product which is covered by a harmonized standard:

**EN 1125:2008 0432-CPR-1230-900005-01
(0432-CPD-0020)**

**EN 179:2008 0432-CPR-1230-900005-02
(0432-CPD-0021)**

**EN 12209:2003 0432-CPR-1230-900005-03
(0432-CPD-0144)
only series 6000/7000**

The notified test laboratory no. 0432 (MPA Dortmund) carried out the type testing and issued the test report.

8. European Technical Assessment

N/N



9. Declaration:

Important features	Declaration	Harmonized technical specification
Release function: (For doors in escape routes)		
4.1.2 Release duration	<1sec	
4.1.3 (EN1125) Attachment of the panic exit device	Suitable for fitting on the inside of the door	
4.1.3 (EN179) Actuation for release	Release direction in the opening direction of the door	
4.1.4 (EN179) Lever handle design	The locking device opens by means of a downward movement of the door handle	
4.1.5 (EN1125); 4.1.8 (EN179) Protruding corners and edges	<0,5mm	
4.1.7 (EN1125); 4.1.6 (EN179) Double-leaved door	applicable for Art. 467F, 6658, 6668, 6678, 658Z, 668Z, 678Z, 7668, 7678, 7687, 768Z, 778Z, 788Z) not applicable for Art. 6657, 6667, 6677, 657Z, 667Z, 677Z, 7667, 7677, 7687, 767Z, 777Z, 787Z)	
4.1.9 (EN1125); 4.1.12 (EN 179) Distance from door frame (lock-side), or installation	Z<150 mm; X>120 mm (only EN 179)	
4.1.10 Effective length of horizontal operating bars (only EN1125)	X>60% of the opening width	
4.1.11 (EN1125); 4.1.12 (EN179) Protrusion of the operating element	Class 1; W<150 mm	DIN EN 179:2008-4 DIN EN 1125:2008-4
4.1.12 End of horizontal operating bar (only EN 1125)	The horizontal operating bar does not protrude beyond the support arms	
4.1.13 (EN1125); 4.1.14 (EN 179) Actuation surface of the operating element	V ≥ 18 mm, minimum thickness 5 mm (only EN 179)	
4.1.14 (EN1125); 4.1.18 (EN179) Test bar	passed	
4.1.15 (EN1125); 4.1.16 (EN179) Clearance to the surface of the door leaf	R ≥ 25 mm, in acc. with EN 179: Testing with test block: passed	
4.1.16 (EN1125); 4.1.20 (EN179) Accessible gap	passed	
4.1.17 (EN1125); 4.1.21 (EN179) Free movement of the door	passed	
4.1.18 (EN1125); 4.1.22 (EN179) Upper end of vertical shoot bolts	passed	
4.1.20 (EN1125); 4.1.22 (EN179) Engaging elements (keepers)	passed	
4.1.21 (EN1125); 4.1.25 (EN179) Dimensions of the engaging elements	passed	
4.1.23 (EN1125); 4.1.27 (EN179) Mass and dimensions of the door	Weight ≤ 400 kg, height ≤ 3500 mm, width ≤ 1600 mm	
4.1.24 (EN1125); 4.1.28 (EN179) External access device	passed	



4.2.2 Release forces	≤ 80 N for unloaded door and ≤ 220 N for door loaded with 1,000 N (for EN 1125) ≤ 70 N (for EN 179)	DIN EN 179:2008-4 DIN EN 1125:2008-4
4.2.7 Requirement for security (anti-burglary protection)	Class 2 (EN1125) Class 5 (EN 179)	
7.5 Requirement on security (personal protection)	Class 1	
7.9 Actuation type (EN 179)	Type A	
7.10 Application range of door	Class A (for Art. 467F, 6658, 6668, 6678, 658Z, 668Z, 678Z, 7668, 7678, 7688, 768Z, 778Z, 788Z), Class B (for Art. 6657, 6667, 6677, 657Z, 667Z, 677Z, 7667, 7677, 7687, 767Z, 777Z, 787Z) Class D (for all articles with reversed panic function: Art. 6657, 6658, 6667, 6668, 6677, 6678, 657Z, 658Z, 667Z, 668Z, 677Z, 678Z, 7667, 7668, 7677, 7678, 7687, 7688, 767Z, 768Z, 777Z, 778Z, 787Z, 788Z)	
Operational reliability with regard to the function of the release (for locked doors in escape routes)		
4.1.4 (EN1125); 4.1.7 (EN179); 4.2.9 Corrosion resistance	Class 3; 96h	
4.1.6 (EN1125); 4.1.9 (EN179) Temperature range	Operating forces at -10 °C and at +60 °C were no more than 50% above those at +20 °C	
4.1.22 (EN1125); 4.1.26 (EN179) Lubrication	Necessary once a year or every 20,000 operating cycles	
4.2.3 Locking force	≤ 50N	
4.2.4 Operational reliability	Class 7: 200,000 cycles	
4.2.5 Resistance of the operating element to abuse	EN1125: 1000N EN179: 1,000 N perpendicular to the door surface and 500 N parallel to the door surface	
Ability to close automatically C (of fire protection/smoke protection doors in escape routes)		
4.2.3 Locking force	≤ 50N	
Durability of the ability to close automatically C (of fire protection/smoke protection doors in escape routes)		
4.2.4 Durability	Class 7: 200,000 cycles	
4.2.3 Locking force	≤ 50N	
Durability of the ability to close automatically C in relation to ageing and loss of quality (for fire protection/smoke protection doors in escape routes)		



4.2.4 Durability	Class 7: 200,000 cycles	DIN EN 179:2008-4, DIN EN 1125:2008-4
4.2.3 Locking force	≤ 50N	
Fire resistance E (separating function) and I (thermal insulation) (of fire protection doors in escape routes)		
4.1.8 (EN1125); 4.1.10 (EN179) Annex B, Suitability of the panic exit devices for use on fire protection doors - additional requirements	Class B: Suitable Class 0: not suitable (for all locks with controlled latch bolt arrester)	
4.1.25 (EN1125); 4.1.29 (EN179) Hazardous substances	The raw materials and components used do not contain any hazardous substances nor release such substances which exceed the maximum limits specified in the existing European material standards or any statutory national regulations.	

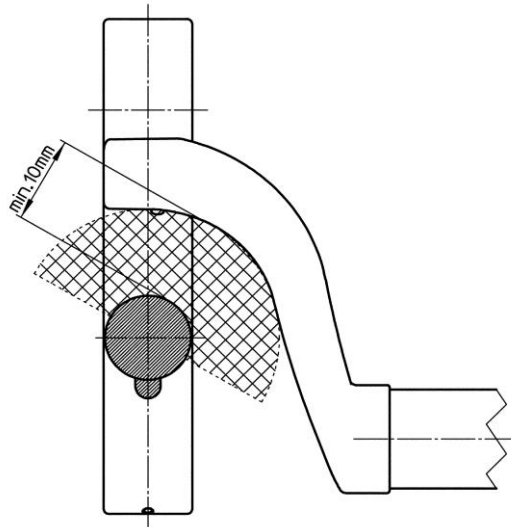
following performance features are only applicable for series 6000, series 7000 and Art. 467F:

4.2.1 Usage category	Class 3: for use by the public	DIN EN 12209: 2003
4.2.2 Long-term operational reliability	Class S: 200,000 cycles, loading of the latch bolt of 50 N	
4.2.3 Door mass and closing force	Class 9: Door mass over 200 kg (400 kg), maximum 15 N closing force	
4.2.4 Suitability for use on fire protection doors	Class 1: Suitable for use on fire protection and smoke protection doors.	
4.2.5 Security	Class 1: (see details in acc. with EN 179 and EN 1125)	
4.2.6 Corrosion resistance and temperature	Class F: High corrosion resistance, temperature requirement: -20 °C to +80 °C	
4.2.7 Protective effect and resistance to drilling	Class 3: Average protective effect and no resistance to drilling	
4.2.8 Door-related area of use	Class B: mortice lock, swing door	



4.2.9 Type of key operation and interlock	Class A: Cylinder lock, manual interlock (for Art. 6657, 6658, 6667, 6668, 6677, 6678, 657Z, 658Z, 667Z, 668Z, 677Z, 678Z) Class B: Cylinder lock, automatic interlock (for Art. 7667, 7668, 7677, 7678, 7687, 7688, 767Z, 768Z, 777Z, 778Z, 787Z, 788Z) Class 0: not applicable (for Art. 467F)	DIN EN 12209: 2003
4.2.10 Type of spindle actuation	Class 2: Lock for operating a door handle without holding spring	
4.2.11 Requirement for key identification	Class 0: no requirements	

Key-operated half- or double cylinders as well as mechanical or electronic knob cylinder (with or without key operation) have no effect on the lock's panic door function (even when the key is inserted). Only the knob of a mechanical or electronic knob cylinder can affect the push bar's functioning, depending on the knob shape and size. Some push bars pose the risk of pinch or shearing points. That's why it's important to keep a clearance of at least 10mm between the outside of the knob up to the lever arm or other activating fitting.



A check of the fault-free panic function and the "Release capability" must be performed on the finished, installed element after completion of all fitting and assembly work.



10. The products described in Sections 1 and 2 fulfils the performance listed in 9.

The manufacturer alone is responsible for issuing this declaration of performance in accordance with Number 4.

Signed for or on behalf of the manufacturer:

Volker Mann, Product manager metalframe program / escape door systems

.....

(Name and function)

Velbert, 26.02.2014

.....

(Place and date of issue)

A handwritten signature in black ink, appearing to read "Mann".

.....

(Signature)